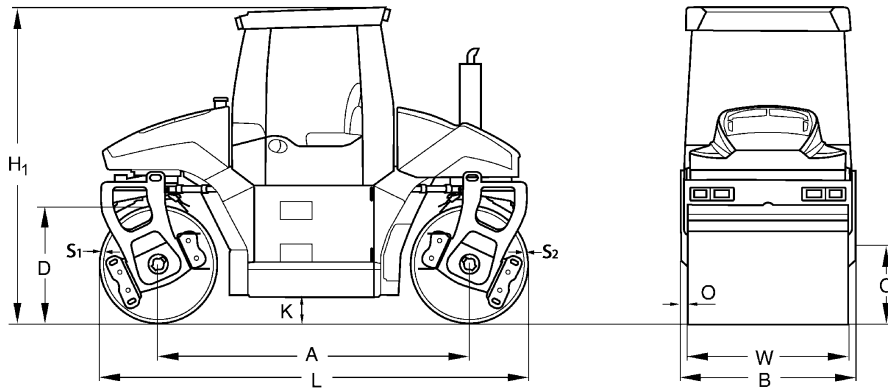


TECHNICAL DATA

TANDEM ROLLERS

BW 154 APO-4V, BW 174 APO-4V





Dimensions in mm

	A	B	C	D	H1	K	L	O	S1	S2	W
BW 154 APO-4V	2890	1665	735	1100	2955	240	3990	72	16	16	1500
BW 174 APO-4V	3200	1826	660	1220	3000	288	4420	73	17	19	1680

Shipping dimensions in m3

BW 154 APO-4V	19,631
BW 174 APO-4V	24,213

Machine type	Compaction output (t/h) at different asphalt layer thicknesses		
	2-4 cm	6-8 cm	10-14 cm
BW 154 APO-4V	30-60	60-130	80-160
BW 174 APO-4V	50-110	90-180	140-210

Technical Data

BOMAG BW 154 APO-4V

BOMAG BW 174 APO-4V

Weights

Operating weight CECE w. ROPS-cabin	kg	7.300	9.500
Axle load, front / rear CECE	kg	3.550/3.750	4.500/5.000
Static linear load, front / rear CECE	kg/cm	23,7/25,0	26,8/29,8
Grossweight	kg	8.800	11.100

Dimensions

Track radius, inner	mm	2.950	2.946
---------------------------	----	-------	-------

Driving Characteristics

Speed (1)	km/h	0 - 10,0	0- 10,5
-----------------	------	----------	---------

Drive

Engine manufacturer		Kubota	Deutz
Type		V3307 CR-T	TCD 3.6 L4
Emission stage		StageV / TIER4f	Stage V / TIER4f
Exhaust gas aftertreatment		DOC+DPF	DPF+SCR
Cooling		Liquid	Liquid
Number of cylinders		4	4
Fuel		Diesel	Diesel
Performance ISO 14396	kW	55,4	74,4
Performance SAE J 1995	hp	74,2	99,6
Speed	min-1	2.400	2.000
Split drum		front + rear	front + rear

Brakes

Service brake		hydrost.	hydrost.
Parking brake		mech.	mech.

Steering

Steering system		2-p. pivoted	2-p. pivoted
Lateral displacement right/left	mm	1.130	1.350

Exciter system

Vibrating drum		front	front
Autom. vibr. shut off		standard	standard
Frequency	Hz	45/46	45/46
Amplitude	mm	0,66/0,32	0,46/0,20
Centrifugal force	kN	69/63	80/61
Centrifugal force	t	7,0/6,4	8,2/6,2
Oscillating drum		rear	rear
O. Frequency	Hz	45	45
O. Amplitude	mm	0,80	0,73

Sprinkler System

Type of sprinkling		pressure	pressure
--------------------------	--	----------	----------

Capacities

Fuel	l	155,0	180,0
Water	l	550,0	680,0

Technical modifications reserved. Machines may be shown with options.

Standard Equipment

- Front drum vibration: 2 amplitudes / 2 frequencies
- TanGO Rear drum Oscillation: 1 Amplitude/ 1 Frequency
- Highly wear resistant oscillation drum
- ECOMODE
- Autom. vibration operation
- Vibration and oscillation individually switchable
- Plastic water tank under the operator's platform
- Water-saving pressure sprinklers
- 4 spring-loaded hinged scrapers
- Indicator and hazard lights
- ROPS cabin with seat belts + heating
- 2 Outside mirrors
- Steering method/Operator's seat sliding / rotatable
- Steering with comfort control - 5 Steering modes
- Back-up alarm
- Emergency STOP
- Brake release device
- Split drums
- Camera front and rear

Optional Equipment

- ECONOMIZER
- Edge cutter
- Rotary beacon
- Special paint
- Environmentally compliant hydraulic oil
- Tool kit
- Precision spreader
- Precision spreader laterally slidable
- Air condition
- Radio/Radio preparation
- Lighting for drum edge
- Backup warning buzzer with broadband technology
- Additional outside mirrors
- Asphalt temperature display
- By-pass filter
- BOMAG TELEMATIC POWER
- BOMAG ECOSTOP
- BOMAP compaction navigation with GPS

